

Model HC3 860SJ

TELESCOPIC BOOM LIFTS



Preliminary version



HIGHER CAPACITY

- Lift more with new capacity - 230 kg unrestricted up to 454 kg restricted.

MORE PRODUCTIVE

- 3 working zones- be more flexible working safely at height with one machine.

MORE EFFICIENCY

- 3 people allowed into the basket at the same time.
- Load sensing system calibration - no weights needed.
- Chassis tilt indicator of 4° with light alarm.
- Automatic selection of the capacity zone based on the load in the basket.

SMART DESIGN

- New light panel - improved visibility.



Standard Features

- Multiple function operation
- Full proportional drive joystick control with integral thumb steer switch
- Full proportional main boom and swing joystick control
- Multiple speed control for telescope and platform rotate
- Selectable creep speed on drive / lift and swing functions
- 180 degree powered platform rotator
- New led display with improved visibility in the direct sunlight ***
- Load sensing system
- AC cable to platform
- Gull-wing hoods
- Swing-out engine tray
- Spark arresting type muffler
- Control ADE® - Advanced Design Electronics System
- Hydrostatic drive transmission
- Four wheel drive
- Horn
- 4 Degree Tilt Alarm and Indicator Light
- 18 - 625 foam filled lug tread tyres
- Fixed-width frame (extending axles not required)
- Oscillating front axle
- Lifting/tie down lugs
- Hour meter
- Ground control selector switch with key lock
- Catalytic exhaust purifier
- Catalytic Purifier Muffler
- Skyguard without beacon
- Skyline Skyguard active system
- Platform tool tray
- Container storage tray

Accessories & Options

- 0.76 m x 1.52 m swing gate or drop bar platform
- 0.76 m x 1.22 m swing gate or drop bar platform
- 0.92 m x 1.83 m swing gate or drop bar platform
- 0.92 m x 2.44 m swing gate or drop bar platform
- 0.76 m x 0.92 m drop bar platform
- Tri entry 0.91 m x 1.83 m swing gate or drop bar platform
- Tri entry 0.91 m x 2.44 m swing gate or drop bar platform
- 13 mm air line to platform
- Sheet metal hoods
- 18 - 625 Foam Filled non marking
- SkyPower® package 4000 watt on-board generator
- Nite-Bright® package *
- All motion alarm
- Platform worklights
- Platform flood lights
- Chassis illumination lights
- Head and tail lights
- Flashing Amber Beacon
- Euro Plugs & Sockets
- Plugs & Sockets
- Hostile environment package **
- Hydraulic oil cooler
- Skyguard with beacon
- SkySense system level 1 and level 2
- Skyguard active system
- Skyguard Skyeeye active system
- Cold weather package
- Biodegradable Hydraulic Oil
- Synthetic Biodegradable Hydraulic Oil
- Fire Resistant Hydraulic Oil
- Special paint colour
- ClearSky Locate
- ClearSky CAN

Standard Specifications

- | | |
|---------------------------|--------------------------------|
| • Diesel Engine | Deutz TD 2.9 L4 (67 hp, 50 kw) |
| • Fuel Tank Capacity | 117 L |
| • Hydraulic Tank Capacity | 129 L |
| • Auxiliary Power | 12V DC |
| • Tyres | 18 - 625 Foam Filled |

* Consists of six 40-watt lights, four turntable mounted lights and two platform mounted lights.

** Includes console cover, boom wipers and cylinder bellows.

*** Provides indicator lights at platform control console for system distress, low fuel, tilt light, and foot switch status working envelope.

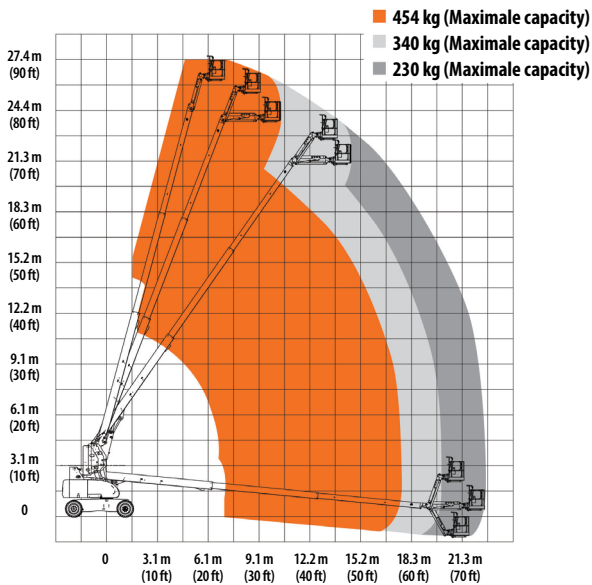
Model HC3 860SJ

TELESCOPIC BOOM LIFTS

Performance

• Working Height	28.25 m
• Platform Height	26.25 m
• Horizontal Outreach	22.78 m
• Working Outreach **	23.43 m
• Swing (Continuous)	360°
• Platform Capacity (Restricted)	👤👤👤 340/454 kg
• Platform Capacity (Unrestricted)	👤👤 230 kg
• Platform Rotator (Hydraulic)	180°
• Jib - Overall Length	1.83 m
• Jib - Range of articulation	130° (+70°/-60°)
• Dimensions:	
A. Platform Size	0.91 m x 2.44 m
B. Overall Width	2.48 m
C. Tailswing (working condition)	1.42 m
D. Stowed Height	2.95 m
E. Stowed Length	12.20 m
F. Wheelbase	3.07 m
G. Ground Clearance	0.3 m
• Machine weight *	17,255 kg
• Maximum Ground Bearing Pressure	5.7 kg/cm ²
• Maximum Tyre Load	9,571 kg
• Drive Speed 4WD	6.3 km/h
• Gradeability 4WD	45%
• Axle Oscillation	0.17 m
• Turning Radius - Inside	4.3 m
• Turning Radius - Outside	6.4 m

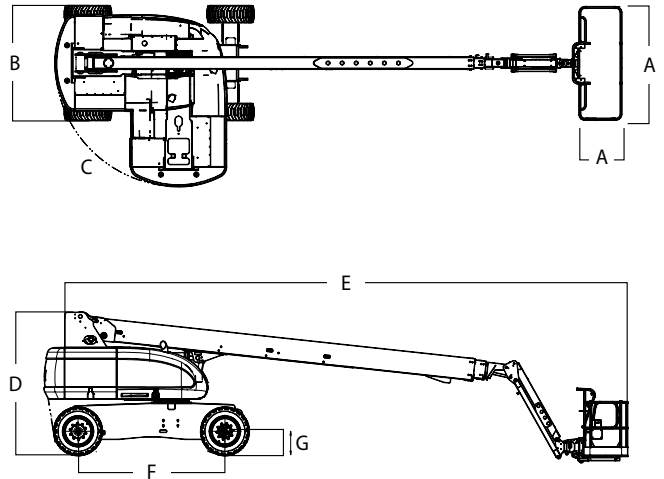
Reach Diagram



Preliminary version

* Certain options or country standards may increase weight and/or dimensions.
** Incl. 0.65 m outreach beyond platform

Dimensions



IMPORTANT

JLG is continually researching and developing products and reserves the right to make modifications without prior notice. All data in this document is indicative. Certain options or country standards will increase weight. Specifications may change to meet country standards or with the addition of optional equipment.

Due to continuous product improvements, JLG Industries reserves the right to make specification and/or equipment changes without prior notification.



JLG EMEA BV

Polaris Avenue 63
2132 JH Hoofddorp
The Netherlands
Tel.: +31 (0)23 565 5665
www.jlg.com

An Oshkosh Corporation Company