

MAX-8



MAX-8

Excellent Performances & Reliability

CPD13/15/16/18/20TV8

Three-wheel Electric Forklift

1.3/1.5/1.6/1.8/2.0t

International Quality Components,
Premium Configuration, Super Performance

EP EQUIPMENT CO.,LTD
www.ep-ep.com

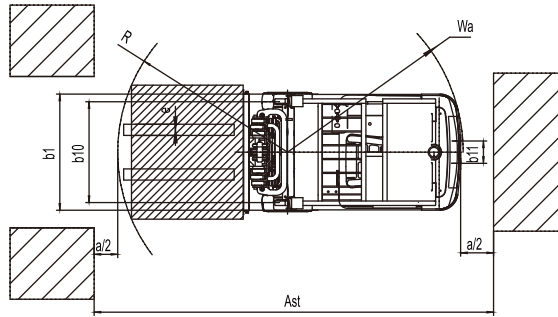
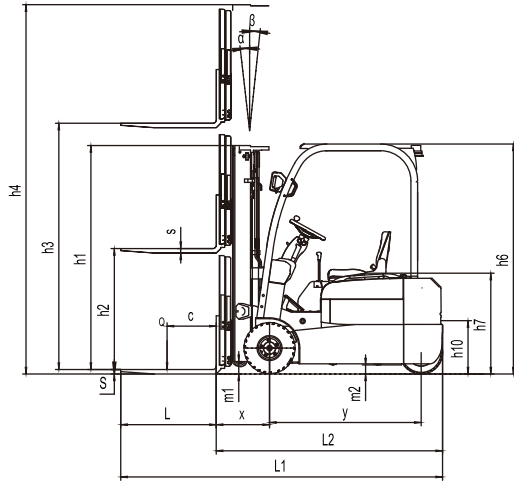
Three-wheel electric forklift 1.3/1.5/1.6/1.8/2.0t

CPD13/15/16/18/20TV8

Distinguishing mark							
1.1	Manufacturer		EP	EP	EP	EP	
1.2	Model designation		CPD13TV8	CPD15TV8	CPD16TV8	CPD18TV8	
1.3	Drive unit		Electric	Electric	Electric	Electric	
1.4	Operator type		seated	seated	seated	seated	
1.5	rated capacity	Q	t	1.3	1.5	1.6	1.8
1.6	Load center distance	c	mm	500	500	500	500
1.8	Load distance, centre of drive axle to fork	x	mm	397.5	397.5	397.5	397.5
1.9	Wheelbase	y	mm	1258	1258	1358	1358
Weight							
2.1	Service weight (include battery)		kg	3050	3050	3160	3160
2.2	Axle loading, laden driving wheels /steering		kg	3872/478	4215/335	4321/439	4640/320
2.3	Axle loading, unladen driving wheels /steering		kg	1570/1480	1570/1480	1620/1540	1620/1540
Types,Chassis							
3.1	Tyre type,driving wheels /steering wheels			solid rubber	solid rubber	solid rubber	solid rubber
3.2	Tyre size, driving wheels			18X7-8	18X7-8	18X7-8	18X7-8
3.3	Tyre size, steering wheels			15X4.5-8	15X4.5-8	15X4.5-8	15X4.5-8
3.5	Wheels, number driving/steering (x=drive wheels)		mm	2x/ 2	2x/ 2	2x/ 2	2x/ 2
3.6	Tread, Driving wheels	b ₁₀	mm	902	902	902	902
3.7	Tread, Steering wheels	b ₁₁	mm	175	175	175	175
Dimensions							
4.1	Tilt of mast/fork carriage forward/backward	α/ β (°)		6/6.5	6/6.5	6/6.5	6/6.5
4.2	Height, mast lowered	h ₁	mm	2060	2060	2060	2060
4.3	Free lift (load backrest)	h ₂	mm	120	120	120	120
4.4	Lift height	h ₃	mm	3000	3000	3000	3000
4.5	Height, mast extended	h ₄	mm	4041	4041	4041	4041
4.7	Height of overhead guard (cabin)	h ₆	mm	2060	2060	2060	2060
4.8	Seat height	h ₇	mm	855	855	855	855
4.12	Tow center of pin height	h ₁₀	mm	475	475	475	475
4.19	Overall length	l ₁	mm	2765	2765	2865	2865
4.20	Length to face of forks	l ₂	mm	1845	1845	1945	1945
4.21	Overall width	b ₁ / b ₂	mm	1090	1090	1090	1090
4.22	Fork dimensions	s/ e/ l	mm	40×100×920	40×100×920	40×100×920	40×100×920
4.23	Fork carriage class/type A, B			A	A	A	A
4.24	Fork carriage width	b ₃	mm	1040	1040	1040	1040
4.31	Ground clearance, laden, below mast	m ₁	mm	108	108	108	108
4.32	The minimum ground clearance of frame	m ₂	mm	78	78	78	78
4.34.1	Aisle width for pallets 1000 × 1200 crossways	Ast	mm	3195	3195	3295	3295
4.34.2	Aisle width for pallets 800 × 1200 lengthways	Ast	mm	3320	3320	3420	3420
4.35	Turning radius	Wa	mm	1475	1475	1575	1575
Performance data							
5.1	Travel speed, laden/ unladen		km/ h	13/ 14	13/ 14	13/ 14	13/ 14
5.2	Lifting speed, laden/ unladen		m/ s	0.3/ 0.43	0.29/ 0.43	0.28/ 0.43	0.27/ 0.43
5.3	Lowering speed, laden/ unladen		m/ s	0.44/ 0.435	0.44/ 0.435	0.44/ 0.435	0.44/ 0.435
5.5	Drawbar pull, laden/unladen		N	/	/	/	/
5.6	Max. drawbar pull, laden/unladen (time)		N	/	/	/	/
5.7	Gradeability, laden/unladen		%	10.5/ 14.5	10.5/ 14.5	10.5/ 14.5	10.5/ 14.5
5.8	Max. gradeability, laden/unladen		%				
5.10	Service brake type			Mechanical/ hydraulic	Mechanical/ hydraulic	Mechanical/ hydraulic	Mechanical/ hydraulic
	park brake type			Mechanical/ hydraulic	Mechanical/ hydraulic	Mechanical/ hydraulic	Mechanical/ hydraulic
Electric-engine							
6.1	Drive motor rating S2 60 min		kW	4.8x2	4.8x2	4.8x2	4.8x2
6.2	Lift motor rating at S3 15%		kW	11	11	11	11
6.3	The maximum allowed size battery		mm	/	/	/	/
6.4	Battery voltage/nominal capacity K5			48/400	48/400	48/500	48/500
6.5	Battery weight		kg	708	708	856	856
Addition data							
8.1	Type of drive unit			AC	AC	AC	AC
10.5	Steering type			Mechanical/ hydraulic	Mechanical/ hydraulic	Mechanical/ hydraulic	Mechanical/ hydraulic
10.7	Sound pressure level at the driver's ear		dB (A)	68	68	70	70

- 1.The parameters in the table are of the standard model. For more information, please contact us.
- 2.The parameters are subject to change without notice.

EP
CPD20TV8
Electric
seated
2
500
397.5
1468
3430
5050/380
1750/1680
solid rubber
200X50-10
15X4.5-8
2x/ 2
902
175
6/6.5
2060
120
3000
4041
2060
855
475
2975
2055
1150
40x100x920
A
1040
108
78
3400
3526
1680
13/ 14
0.26/ 0.43
0.44/ 0.435
/
/
10.5/ 14.5
Mechanical/ hydraulic
Mechanical/ hydraulic
4.8x2
11
/
48/600
1003
AC
Mechanical/ hydraulic
74



Option

options	CPD13/15/16/18/20TV8
Fork length	•
Folding fork	•
high capacity battery	•
Imported battery	•
Rubber solid tyre	•
No-mark solid tyre	•
Cold storage (Apply to -20 C)	•
Lateral battery change	•
Fork weighing system	•
Customized Overhead height	•
Mast lifting height	•
Attachment	•
Integrated side shift	•
proportional valve	•
LED Front working light	•
Rear working light	•
Warning light	•
fire extinguisher	•
Auto-filling water system	•
Suspension seat	•
Heater	•
Front window with wiper	•
Rear window with wiper	•
Full cabin	•
OPS	•
Special backrest	•
battery trolley for lateral battery extraction	•
FAN	•
Special modification for Drive-in Racking	•

Mast Option

1.3~2.0t TV8 series Standard mast types

Type	Model	Max. fork height h3 mm	Overall height			Free lift		Front Overhang X				Tilt range		Capacity				
			Lowered h1 mm	Extended		Without backrest h2 mm	With backrest h2 mm	1.3t	1.5t	1.6t	1.8t	2.0t	FWD α Deg	BWD β Deg	Load capacity at 500 mm Single tire			
				Without backrest mm	With backrest mm										1.3t	1.5t	1.6t	1.8t
Duplex ZT	2W200	2000	1490	2950	3041	120	120	397.5	397.5	397.5	397.5	6	6.5	1300	1500	1600	1800	2000
	2W250	2500	1740	3050	3541	120	120	397.5	397.5	397.5	397.5	6	6.5	1300	1500	1600	1800	2000
	2W270	2700	1840	3250	3741	120	120	397.5	397.5	397.5	397.5	6	6.5	1300	1500	1600	1800	2000
	2W300	3000	1990	3550	4041	120	120	397.5	397.5	397.5	397.5	6	6.5	1300	1500	1600	1800	2000
	2W330	3300	2140	3850	4341	120	120	397.5	397.5	397.5	397.5	6	6.5	1300	1500	1600	1800	2000
	2W350	3500	2240	4050	4541	120	120	397.5	397.5	397.5	397.5	6	6.5	1300	1500	1600	1800	2000
	2W360	3600	2290	4150	4641	120	120	397.5	397.5	397.5	397.5	6	6.5	1300	1500	1600	1800	2000
	2W400	4000	2540	4550	5041	120	120	397.5	397.5	397.5	397.5	3	5	1300	1400	1500	1600	1800
	2W425	4250	2665	4800	5291	120	120	397.5	397.5	397.5	397.5	3	5	1200	1300	1400	1500	1700
	2W450	4500	2790	5050	5541	120	120	397.5	397.5	397.5	397.5	3	5	1150	1250	1350	1400	1600
Duplex ZZ	2F250	2500	1773	3050	3541	1253	762	397.5	397.5	397.5	397.5	6	6.5	1300	1500	1600	1800	2000
	2F270	2700	1873	3250	3741	1353	862	397.5	397.5	397.5	397.5	6	6.5	1300	1500	1600	1800	2000
	2F300	3000	2023	3550	4041	1503	1012	397.5	397.5	397.5	397.5	6	6.5	1300	1500	1600	1800	2000
	2F330	3300	2173	3850	4341	1653	1162	397.5	397.5	397.5	397.5	6	6.5	1300	1500	1600	1800	2000
	2F360	3600	2323	4150	4641	1803	1312	397.5	397.5	397.5	397.5	6	6.5	1300	1500	1600	1800	2000
	2F400	4000	2523	4550	5041	2003	1512	397.5	397.5	397.5	397.5	3	5	1200	1400	1500	1700	1900
	2F435	4350	1993	4900	5391	1473	982	397.5	397.5	397.5	397.5	3	5	1100	1250	1350	1450	1600
	3F450	4500	2043	5050	5541	1523	1032	397.5	397.5	397.5	397.5	3	5	1050	1200	1300	1350	1500
	3F480	4800	2143	5350	5841	1623	1132	397.5	397.5	397.5	397.5	3	5	1000	1100	1200	1250	1400
	3F500	5000	2208	5550	6041	1688	1197	397.5	397.5	397.5	397.5	3	5	950	1050	1150	1200	1350
Triplex DZ	3F550	5500	2378	6050	6541	1858	1367	397.5	397.5	397.5	397.5	3	5	/	/	1050	1100	1250
	3F600	6000	2593	6550	7041	2073	1582	397.5	397.5	397.5	397.5	3	5	/	/	850	900	1150

Note: With sideshifter minus 200Kg, with integral sideshifter minus 100Kg.

1. The parameters in the table are of the standard model. For more information, please contact us.
2. The parameters are subject to change without notice.

